

35/40/45D-9F 50DA-9F

Diesel Counterbalance Trucks

MOVING YOU FURTHER

HYUNDAI HEAVY INDUSTRIES



■ Photo may include optional equipment / All lamps are optional.



Your satisfaction is **our priority!**

Hyundai introduces a new line of **9-series** diesel forklift trucks.

The newly designed 4 wheel counterbalance trucks provide every operator comfortable driving, increased productivity and easy maintenance.



New Diesel Forklift with Proven Quality and Advanced Technology

- Spacious operator's cab
- 5.6 inch LCD color monitor
- Truck inclination warning system
- Easy serviceability
- Speed limit function
- Password starting system
- Auto fork leveling system (Optional)
- Weight indicator (Optional)
- LED Rear work lamp (Optional)



■ Photo may include optional equipment / All lamps are optional.

High Efficiency & Optimal Performance



■ Photo may include optional equipment / All lamps are optional.



KUBOTA V3800

75.3 PS / 2,200 rpm (gross)

31.6 kgf·m / 1,500 rpm (gross)

The 4 cylinders turbo-charged engine is built for power, reliability and economy. This engine meets EPA Tier 4 Final and EU stage IIIB emission regulation.

High Pressure Common Rail Fuel System(HPCR)

Upgraded HPCR System provides excellent start

Ability & Emission Control

- Combustion efficiency enhancement
- Low noise, Low vibration

DOC (Diesel Oxidation Catalyst)

- NO DPF

Advanced technology enables smooth operation and optimal performance with safety.

35/40/45D-9F 50DA-9F



Highly Durable Transmission

Powershift transmission of forward 2 stages and reverse 2 stages provides fast travel speed and quiet travel under any heavy load condition, and enhances work efficiency. The clutch protection system prevents excessive use of inching as well as minimizes change-impact.



Boosting Type Brake Valve

The boosting type brake valve is applied for strong braking performance.



Highly Durable Drive Axle

The strong drive axle separable from transmission ensures low vibration and easy maintenance. The wet disc type brake is applied for easy operation, smooth response and maintenance free.



Integrated Wheel Rim

The integrated wheel rim provides significantly increased service life.



Fully Hydrostatic Power Steering

The hydraulic steering system always guarantees smooth and flexible steering, preventing over-run and kick-back.



Faster Travel Speed and Gradeability

The strengthened drive axle separated by drive shaft transmission ensures low vibration and easy maintenance. The wet disc type brake is applied for easy operation, smooth response and maintenance free.

Max. Travel Speed

Model	Km / h
35D-9F	26.6
40D-9F	25.7
45D-9F	25.6

Max. Gradeability

Model	%
35D-9F	38.6
40D-9F	34.6
45D-9F	31.4

Best Convenience & Optimized Ergonomics



■ Photo may include optional equipment / All lamps are optional.

Spacious Operator Cabin

The newly designed cabin provides wide visibility and spacious environment, ensuring all day comfort for the operator.



Optimized Pedal Position

On the 9-series the pedals are mounted to the console to reduce operator fatigue, and noise and dust from the engine compartment.



Adjustable Steering Wheel

To achieve a comfortable drive position, the angle of the steering column can easily be adjusted by a lever on the right-hand side of the steering column.



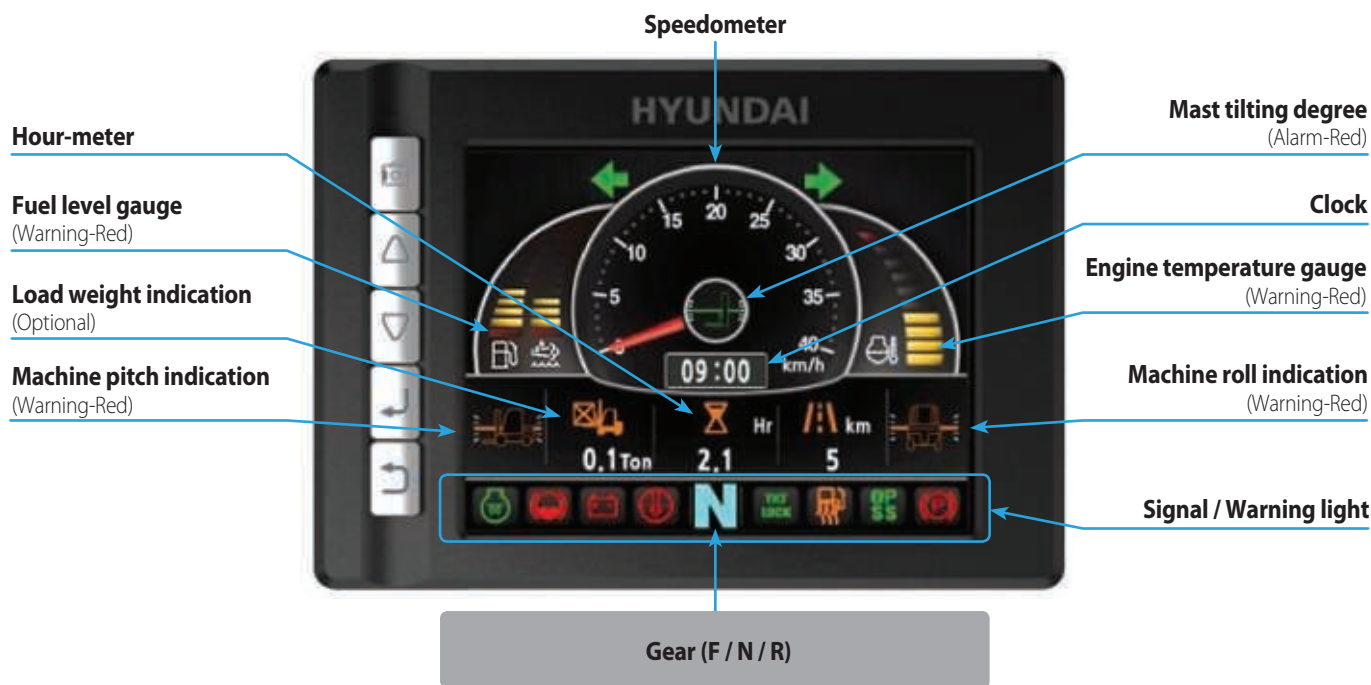
Grammer Seat (STD)

An attractive and adjustable seat, based on a human engineering design, provides great comfort. And the angle of the armrest can be adjusted to reduce the fatigue of the driver.

- Applied the weight of the driver
- ELR type seat belt standard
- Heater and Head Rest (Option)

The ergonomically designed cabin and the new style LCD color monitor provides full support and comfort to the operator.

35/40/45D-9F 50DA-9F



Advanced LCD Monitor

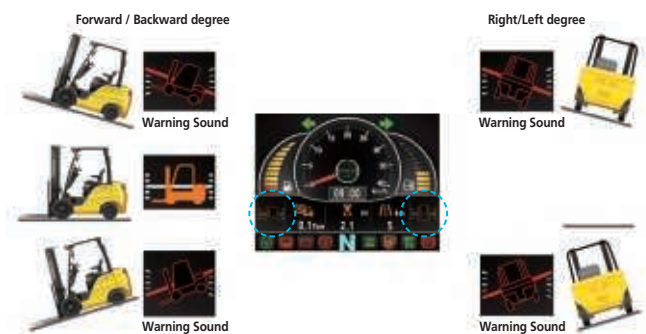
The 5.6 inch wide screen LCD color monitor allows the operator to control the machine with ease. The monitor features speed, travel direction, battery discharge indicator and hour meter.



Automatic Gear Box

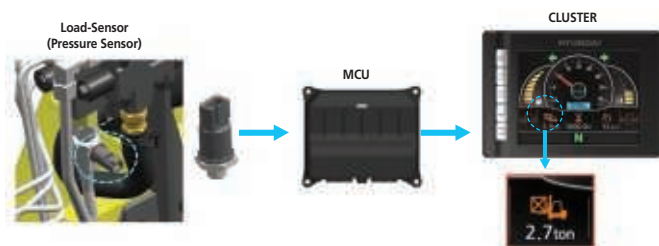
Automatic transmission is speed controlled:

- During acceleration when the speed reaches 7 km/h second gear is selected .
- When decelerating shift down to first speed is done at 5 km/h.



Truck Inclination Warning System

To improve the productivity and safety, the truck inclination warning system will monitor and indicate forward/backward, right/left degree of the forklift. The alarm alerts the operator when the forklift degree is over the ISO standard.



Weight Indication System (Option)

The optional load indicator displays the load weight in the monitor. The load sensor reduces the time to check loaded weight and the alarm alerts the driver when overloaded.

Advanced **Safety**



Excellent Visibility for Safe Operation

Optimized lift cylinder arrangement provides operator with wider visibility. The panoramic mirror expands the driver's view when backing up.

■ Photo may include optional equipment / All lamps are optional.



Strong Overhead Guard

Exceeding CEE and ANSI regulations, the overhead guard offers optimal protection combined with excellent all round visibility.



Low Entrance Height

The low entrance height ensures easy and safe access for the operator.

The safely designed driver's space makes your operating more comfortable.

35/40/45D-9F 50DA-9F

Fork safety features

When the forks are being lowered, a down-control valve maintains the controlled speed. The down-safety valve prevents forks from dropping down in case of sudden damage of hydraulic line.

OPSS (Operator Presence Sensing System)

All mast and drive movements stop functioning when the operator is not in the seat.



■ Photo may include optional equipment / All lamps are optional.



Safety Lamps & Rear Reflectors

Halogen headlights and rear LED combination lights offer the driver visibility in all circumstances. Rear reflectors mounted on the counterweight enhance safety for the driver and the application.

Fast and Easy Maintenance



Large Engine Hood

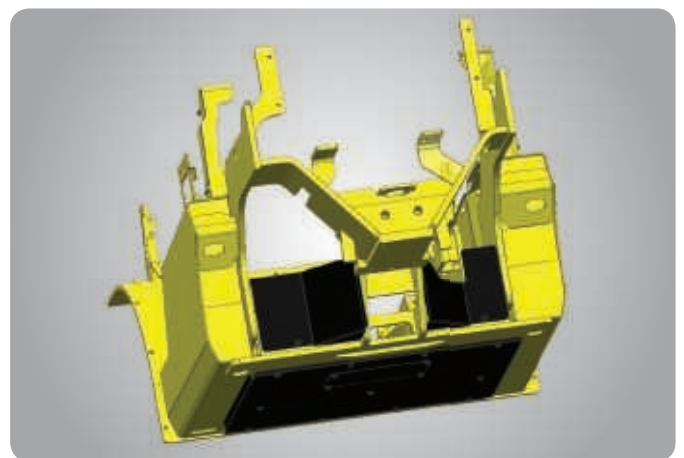
Highly accessible engine compartment assures fast and efficient maintenance. The enlarged air cleaner (8") extended service time of engine.

■ Photo may include optional equipment



Waterproof and Dustproof Cover

Newly developed Waterproof and Dustproof fuse box and relay box are mounted in one place for ease of maintenance.



Rear Tire & Under Cover (Optional)

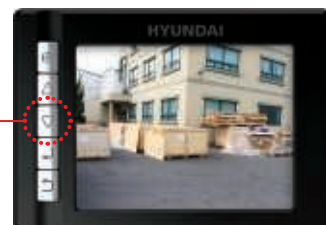
The rear tire cover with PE material is well-suited to prevent clogging of the radiator from foreign substances. The Under cover protect the engine and components from dusts caused by ground. It helps to lengthen components life.

An ideal arrangement of components ensures easy access and convenience for maintenance.

35/40/45D-9F 50DA-9F



Interlock with Gear



Rear View Camera (Optional)



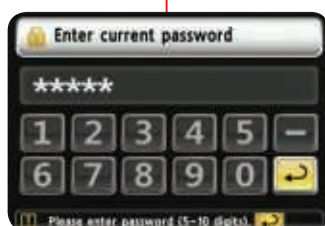
Emergency Switch (Optional)

Rear Work Lamp Switch (Optional)

■ Photo may include optional equipment / All lamps are optional.



Maintenance Management Display



Password Starting System (Anti-theft system)



Fuel Cover with Key

New 9 Series

Mast Specification (35D-9F)

Mast Type		Maximum Fork Height	Overall Height (Lowered)		Free Lift Height		Tilt Angle		Load Capacity without side shift		Load Capacity with side shift		Truck Weight (Unloaded)	
			Single Tire	Double Tire	With Load Backrest	Without Load Backrest	Fwd	Bwd	Single Tire	Double Tire	Single Tire	Double Tire	Single Tire	Double Tire
			mm	mm	mm	mm	deg	deg	600 mm LC	600 mm LC	600 mm LC	600 mm LC	kg	kg
2-STAGE LIMITED FREE LIFT	V270	2720	2085	2085	120	120	8	10	3500	3500	3500	3500	5864	6013
	※ V300	3020	2235	2235	120	120	8	10	3500	3500	3500	3500	5894	6043
	V330	3320	2385	2385	120	120	8	10	3500	3500	3500	3500	5932	6081
	V350	3520	2535	2535	120	120	8	10	3500	3500	3500	3500	5955	6104
	V370	3720	2635	2635	120	120	8	10	3500	3500	3500	3500	5975	6124
	V400	4020	2845	2845	120	120	8	10	3500	3500	3400	3450	6017	6166
	V430	4320	2995	2995	120	120	8	10	3500	3500	3350	3400	6047	6196
	V450	4520	3095	3095	120	120	8	6	3500	3500	3300	3350	6130	6279
2-STAGE FULL FREE LIFT	VF280	2805	2135	2135	931	931	8	8	3500	3500	3500	3500	5922	6073
	VF300	3005	2235	2235	1031	1031	8	8	3500	3500	3500	3500	5948	6099
	VF315	3155	2325	2325	1121	1121	8	8	3500	3500	3500	3500	5967	6119
3-STAGE FULL FREE LIFT	TF/TS370	3730	2035	2035	822	822	8	8	3500	3500	3350	3450	6108	6257
	TF/TS400	4030	2135	2135	922	922	8	8	3500	3500	3300	3400	6138	6287
	TF/TS430	4330	2235	2235	1022	1022	8	8	3500	3500	3250	3350	6196	6318
	TF/TS450	4510	2295	2295	1082	1082	8	8	3500	3500	3200	3300	6188	6337
	TF/TS470	4720	2385	2385	1172	1172	8	8	3400	3500	3150	3250	6224	6373
	TF/TS500	5020	2485	2485	1272	1272	8	6	3300	3400	3100	3200	6247	6396
	TF/TS550	5520	2665	2665	1452	1452	8	6	3200	3300	2850	3100	6309	6458
	TF/TS600	6030	2845	2845	1632	1632	8	6	3100	3200	2450	3000	6347	6523
TF/TS650	6540	3025	3025	1812	1812	8	6	3000	3000	2350	2900	6461	6610	

Mast Specification (40D-9F)

Mast Type		Maximum Fork Height	Overall Height (Lowered)		Free Lift Height		Tilt Angle		Load Capacity without side shift		Load Capacity with side shift		Truck Weight (Unloaded)	
			Single Tire	Double Tire	With Load Backrest	Without Load Backrest	Fwd	Bwd	Single Tire	Double Tire	Single Tire	Double Tire	Single Tire	Double Tire
			mm	mm	mm	mm	deg	deg	600 mm LC	600 mm LC	600 mm LC	600 mm LC	kg	kg
2-STAGE LIMITED FREE LIFT	V270	2720	2085	2070	120	120	8	10	4000	4000	4000	4000	6292	6408
	※ V300	3020	2235	2220	120	120	8	10	4000	4000	4000	4000	6322	6438
	V330	3320	2385	2370	120	120	8	10	4000	4000	4000	4000	6360	6476
	V350	3520	2535	2520	120	120	8	10	4000	4000	4000	4000	6383	6499
	V370	3720	2635	2620	120	120	8	10	4000	4000	3950	3950	6403	6519
	V400	4020	2845	2830	120	120	8	10	4000	4000	3900	3900	6446	6562
	V430	4320	2995	2980	120	120	8	10	4000	4000	3850	3850	6475	6591
	V450	4520	3095	3080	120	120	8	6	4000	4000	3800	3800	6558	6674
2-STAGE FULL FREE LIFT	VF280	2805	2135	2120	916	1243	8	8	4000	4000	4000	4000	6350	6446
	VF300	3005	2235	2220	1016	1343	8	8	4000	4000	4000	4000	6376	6472
	VF315	3155	2325	2310	1106	1433	8	8	4000	4000	4000	4000	6395	6491
3-STAGE FULL FREE LIFT	TF/TS370	3730	2035	2020	807	1134	8	8	4000	4000	3900	3950	6536	6595
	TF/TS400	4030	2135	2120	907	1234	8	8	4000	4000	3850	3850	6566	6625
	TF/TS430	4330	2235	2220	1007	1334	8	8	4000	4000	3800	3800	6597	6656
	TF/TS450	4510	2295	2290	1067	1394	8	8	4000	4000	3800	3800	6616	6675
	TF/TS470	4720	2385	2390	1157	1484	8	8	4000	4000	3700	3750	6653	6711
	TF/TS500	5020	2485	2470	1257	1584	8	6	3900	3900	3600	3650	6676	6734
	TF/TS550	5520	2665	2650	1437	1764	8	6	3700	3800	3350	3500	6737	6796
	TF/TS600	6030	2845	2830	1617	1944	8	6	3600	3600	2950	3400	6803	6861
TF/TS650	6540	3025	3010	1797	2124	8	6	3500	3500	2850	3300	6889	6948	

35/40/45D-9F 50DA-9F

Mast Specification (45D-9F)

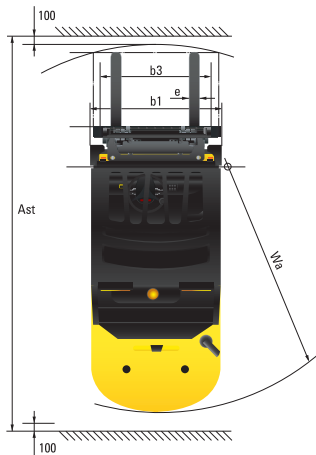
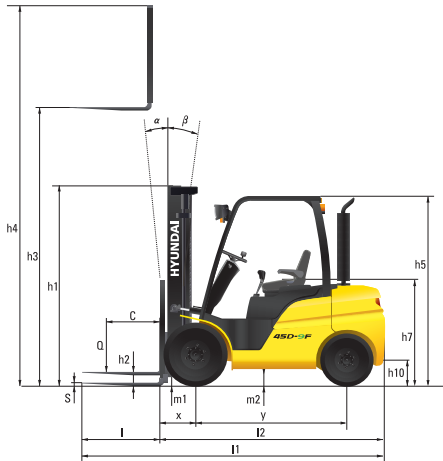
Mast Type		Maximum Fork Height	Overall Height (Lowered)		Free Lift Height		Tilt Angle		Load Capacity without side shift		Load Capacity with side shift		Truck Weight (Unloaded)	
			Single Tire	Double Tire	With Load Backrest	Without Load Backrest	Fwd	Bwd	600 mm LC	600 mm LC	600 mm LC	600 mm LC	Single Tire	Double Tire
			mm	mm	mm	mm	deg	deg	kg	kg	kg	kg	kg	kg
2-STAGE LIMITED FREE LIFT	V270	2720	2085	2070	120	120	8	10	4500	4500	4500	4500	6702	6864
	※ V300	3020	2235	2220	120	120	8	10	4500	4500	4500	4500	6732	6894
	V330	3320	2385	2370	120	120	8	10	4500	4500	4500	4500	6770	6932
	V350	3520	2535	2520	120	120	8	10	4500	4500	4500	4500	6793	6955
	V370	3720	2635	2620	120	120	8	10	4500	4500	4400	4400	6813	6975
	V400	4020	2845	2830	120	120	8	10	4500	4500	4350	4350	6855	7017
	V430	4320	2945	2980	120	120	8	10	4500	4500	4300	4300	6885	7047
	V450	4520	3095	3080	120	120	8	6	4500	4500	4200	4200	6968	7130
2-STAGE FULL FREE LIFT	VF280	2805	2135	2120	853	1442	8	8	4500	4500	4500	4500	6739	6875
	VF300	3005	2235	2220	953	1542	8	8	4500	4500	4500	4500	6765	6901
	VF315	3155	2325	2310	1043	1602	8	8	4500	4500	4500	4500	6784	6920
3-STAGE FULL FREE LIFT	TF/TS370	3730	2035	2020	796	1114	8	8	4500	4500	4350	4350	6931	7067
	TF/TS400	4030	2135	2120	896	1214	8	8	4500	4500	4300	4300	6961	7097
	TF/TS430	4330	2235	2220	996	1314	8	8	4500	4500	4200	4200	6992	7128
	TF/TS450	4510	2295	2290	1056	1374	8	8	4500	4500	4150	4150	7011	7147
	TF/TS470	4720	2385	2390	1145	1484	8	8	4400	4400	4100	4100	7047	7183
	TF/TS500	5020	2485	2470	1246	1564	8	6	4300	4300	4000	4000	7070	7206
	TF/TS550	5520	2665	2650	1426	1744	8	6	4200	4200	3850	3850	7132	7268
	TF/TS600	6030	2845	2830	1606	1924	8	6	4000	4000	3250	3750	7197	7333
TF/TS650	6540	3025	3010	1786	2104	8	6	3900	3900	3150	3650	7284	7420	

Mast Specification (50DA-9F)

Mast Type		Maximum Fork Height	Overall Height (Lowered)		Free Lift Height		Tilt Angle		Load Capacity without side shift		Load Capacity with side shift		Truck Weight (Unloaded)	
			Single Tire	Double Tire	With Load Backrest	Without Load Backrest	Fwd	Bwd	600 mm LC	600 mm LC	600 mm LC	600 mm LC	Single Tire	Double Tire
			mm	mm	mm	mm	deg	deg	kg	kg	kg	kg	kg	kg
2-STAGE LIMITED FREE LIFT	V260	2630	2085	2070	120	120	8	10	5000	5000	5000	5000	7152	7273
	※ V290	2930	2235	2220	120	120	8	10	5000	5000	5000	5000	7177	7298
	V320	3230	2385	2370	120	120	8	10	5000	5000	5000	5000	7202	7323
	V340	3430	2535	2520	120	120	8	10	5000	5000	4950	4950	7227	7348
	V360	3630	2635	2620	120	120	8	10	5000	5000	4900	4900	7243	7364
	V390	3930	2845	2830	120	120	8	10	5000	5000	4800	4800	7279	7400
	V440	4430	3095	3080	120	120	8	6	4900	5000	4650	4650	7382	7503
2-STAGE FULL FREE LIFT	V490	4930	3345	3330	120	120	8	6	4800	4900	4500	4500	7424	7545
	VF270	2702	2135	2120	905	1223	8	8	5000	5000	4700	4750	7117	7238
	VF290	2902	2235	2220	1005	1323	8	8	5000	5000	4650	4700	7143	7264
3-STAGE FULL FREE LIFT	VF305	3052	2325	2310	1095	1413	8	8	5000	5000	4550	4600	7162	7283
	TF/TS360	3672	2035	2020	807	1074	8	8	5000	5000	4700	4800	7348	7469
	TF/TS390	3972	2135	2120	907	1174	8	8	5000	5000	4650	4700	7374	7495
	TF/TS420	4272	2235	2220	1007	1274	8	8	4900	5000	4550	4600	7399	7520
	TF/TS440	4452	2295	2280	1067	1334	8	8	4800	5000	4500	4550	7415	7536
	TF/TS460	4662	2385	2370	1157	1424	8	8	4700	4900	4450	4500	7439	7560
	TF/TS490	4962	2485	2470	1257	1524	8	6	4600	4800	4350	4450	7464	7585
	TF/TS540	5462	2665	2650	1437	1704	8	6	4500	4700	4250	4300	7516	7637
TF/TS590	5972	2845	2830	1617	1884	8	6	4400	4600	4100	4200	7556	7677	
TF/TS640	6482	3025	3010	1797	2064	8	6	4300	4500	4000	4100	7642	7763	

New 9 Series

Dimensions

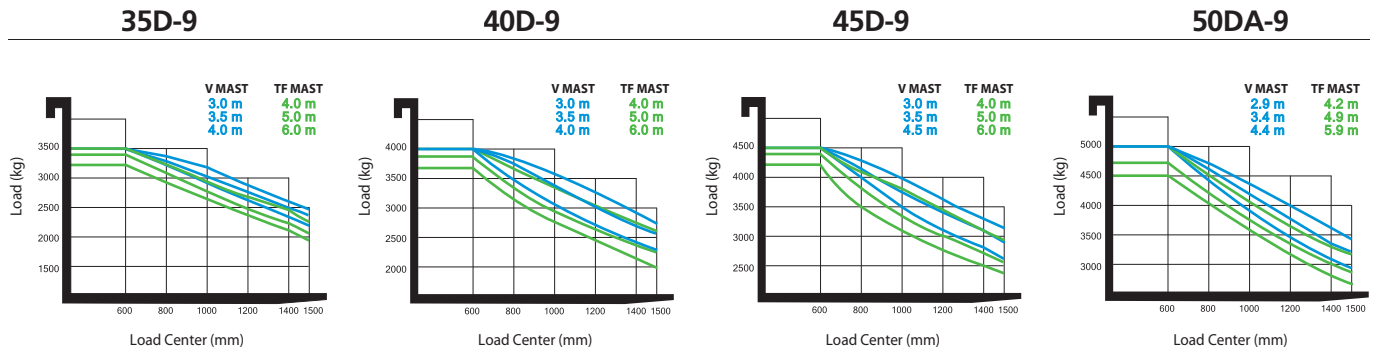


Specifications

Identification					
1.1	Manufacturer	HYUNDAI			
1.2	Type	35D-9F	40D-9F	45D-9F	50DA-9F
1.3	Drive: Electric, Diesel, LPG Gas	Diesel	Diesel	Diesel	Diesel
1.4	Type of operation: hand, pedestrian, standing, seated, order-picker	seated	seated	seated	seated
1.5	Load capacity / Rated load Q (kg)	3,500	4,000	4,500	5,000
1.6	Load center distance c (mm)	600	600	600	600
1.8	Load distance, center of drive axle to forks x (mm)	561	561	561	576
1.9	Wheelbase y (mm)	2,000	2,000	2,000	2,000
Weights					
2.1	Service weight kg	5,894	6,438	6,894	7,298
2.2	Axle loading, loaded front / rear kg	8,202 / 1,192	9,109 / 1,329	9,869 / 1,525	10,686 / 1,612
2.3	Axle loading, unloaded front / rear kg	2,672 / 3,322	2,789 / 3,649	2,759 / 4,135	2,785 / 4,513
Wheels, Chassis					
3.1	Tires : Pneumatic(P), Solid(S), Non-marking(N)	P	P	P	P
3.2	Tires size, front	8.25-15-14PR	7.50-16-12PR	7.50-16-12PR	7.50-16-12PR
3.3	Tires size, rear	7.00-12-12PR	7.00-12-12PR	7.00-12-14PR	7.00-12-14PR
3.5	Wheels, number front / rear (x = driven wheels)	2 x 2	4 x 2	4 x 2	4 x 2
3.6	Track width, front b10 (mm)	1,132	1,282	1,282	1,282
3.7	Track width, rear b11 (mm)	1,140	1,140	1,140	1,140
Basic Dimensions					
4.1	Mast / fork carriage tilt forward / backward (α / β) degrees	8 / 10	8 / 10	8 / 10	8 / 10
4.2	Lowered mast height h1 (mm)	2,235	2,220	2,220	2,220
4.3	Free lift h2 (mm)	120	120	120	120
4.4	Lift height h3 (mm)	3,020	3,020	3,020	2,930
4.5	Extended mast height h4 (mm)	4,234	4,234	4,234	4,147
4.7	Overhead guard height (cabin) h5 (mm)	2,220 (2,360)	2,210 (2,350)	2,210 (2,350)	2,210 (2,350)
4.8	Seat height / standing height h7 (mm)	1,215	1,205	1,205	1,180
4.12	Coupling height h10 (mm)	351	364	364	351
4.19	Overall length l1 (mm)	4,180	4,295	4,484	4,500
4.20	Length to face of forks l2 (mm)	3,110	3,225	3,264	3,300
4.21	Overall width b1 (mm)	1,370	1,740	1,740	1,740
4.22	Fork dimensions (hook type) LxWxT s / e / l (mm)	1,070 x 122 x 50	1,070 x 150 x 50	1,220 x 150 x 50	1,200 x 150 x 60
4.23	Fork carriage ISO 2328, class / type A,B	III / A	III / A	IV / A	IV / A
4.24	Fork carriage width b3 (mm)	1,300	1,600	1,600	1,600
4.31	Ground clearance, loaded, under mast m1 (mm)	170	155	155	155
4.32	Ground clearance, centre of wheelbase m2 (mm)	215	205	205	182
4.33	Aisle width for pallets 1000 x 1200 crossways (L x W) Ast (mm)	4,628	4,677	4,725	4,785
4.34	Aisle width for pallets 800 x 1200 lengthways (W x L) Ast (mm)	4,828	4,877	4,925	4,985
4.35	Turning radius Wa (mm)	2,867	2,916	2,964	3,009
4.36	Smallest pivot point distance b13 (mm)	1,009	1,009	1,009	1,009
Performance Data					
5.1	Travel speed, unloaded km/h	26.6	25.7	25.6	25.6
5.2	Lift speed, loaded / unloaded mm/s	500 / 540	480 / 540	480 / 540	410 / 460
5.3	Lowering speed, loaded / unloaded mm/s	500 / 500	500 / 500	500 / 500	500 / 500
5.5	Drawbar pull, loaded kg	3,767	3,798	3,800	3,807
5.7	Gradient performance, loaded %	38.6	34.6	31.4	28.9
5.10	Service brake	FOOT	FOOT	FOOT	FOOT
Engine					
6.1	Engine manufacturer / type	Kubota V3800	Kubota V3800	Kubota V3800	Kubota V3800
6.2	Engine power acc. To ISO 1585 ps/rpm	75.3 / 2,200	75.3 / 2,200	75.3 / 2,200	75.3 / 2,200
6.3	Maximum Torque kg.f.m/rpm	31.6 / 1,600	31.6 / 1,600	31.6 / 1,600	31.6 / 1,600
6.4	No. of cylinder / cubic capacity EA/cc	4 / 3,726	4 / 3,726	4 / 3,726	4 / 3,726
6.5	Fuel consumption acc. to VDI cycle ℓ/h	5.3	5.4	5.5	5.6
Other Details					
8.1	Type of drive control	Power Shift 2/2	Power Shift 2/2	Power Shift 2/2	Power Shift 2/2
8.2	Operating pressure (system/attachments) kg.f/cm ²	210 / 150	210 / 150	210 / 150	210 / 150
8.3	Hydraulic oil flow (attachments) ℓ/min	100	100	100	100

35/40/45D-9F 50DA-9F

Load Capacity



Optional Items

- Fork (mm)

35-9F : 1070 (Standard); 1220; 1370; 1520; 1670; 1820; 1970; 2120; 2400
 40D/45D-9F : 1070; 1220 (Standard); 1370; 1520; 1670; 1820; 1970; 2200; 2400
 50DA-9F : 1200 (Standard); 1350; 1500; 1800; 2000; 2400

- Overshoe (mm)

35-9F : 1600; 1800; 2000
 40D/45D-9F : 1800; 2000; 2200
 50DA-9F : 1800; 2000; 2200; 2300

- Integral Sideshift, Fork positioner, Sideshift

- Integral Sideshift with Fork positioner

- Tire : Solid (superelastic) / Non-marking / Front single / double tire

- M.C.V : 4-Spool; 5-Spool

- Seat : Armrest, Heat, Backrest Ext, Buckle SW

- Weight Indicator

- Auto Fork Leveling System

- Rear View Camera

- Cabin (Heater & Air Conditioner), (Heater)

- Hydraulic Pump Temperature / Pressure Monitor

- Beacon Lamp (LED) (Amber, Red, Blue)

- Rear Work Lamp or LED Rear work lamp - Blue Spot

- Overhead guard (high : 2340 mm)

- Accumulator

- Under Cover

- * Standaard en optionele uitrusting kan variëren. Neem contact op met uw Hyundai dealer voor meer informatie. De machine kan variëren afhankelijk van internationale normen.
- * De foto's kunnen aanbouwapparaten en optionele uitrusting tonen die in uw regio niet leverbaar zijn.
- * Materialen en specificaties kunnen zonder voorafgaande kennisgeving worden gewijzigd.
- * Alle Britse maten zijn afgerond naar het dichtstbijzijnde pond of de dichtstbijzijnde inch.
- * The air conditioning system on this machine contains the fluorinated greenhouse gas refrigerant HFC-134a (Global Warming Potential = 1430).
The system contains 0.55 kg of refrigerant which has a CO₂ equivalent of 0.7865 metric tonne.



NEEM CONTACT OP MET