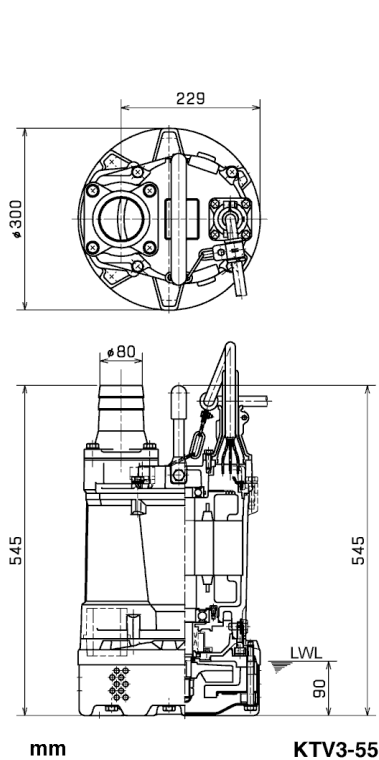
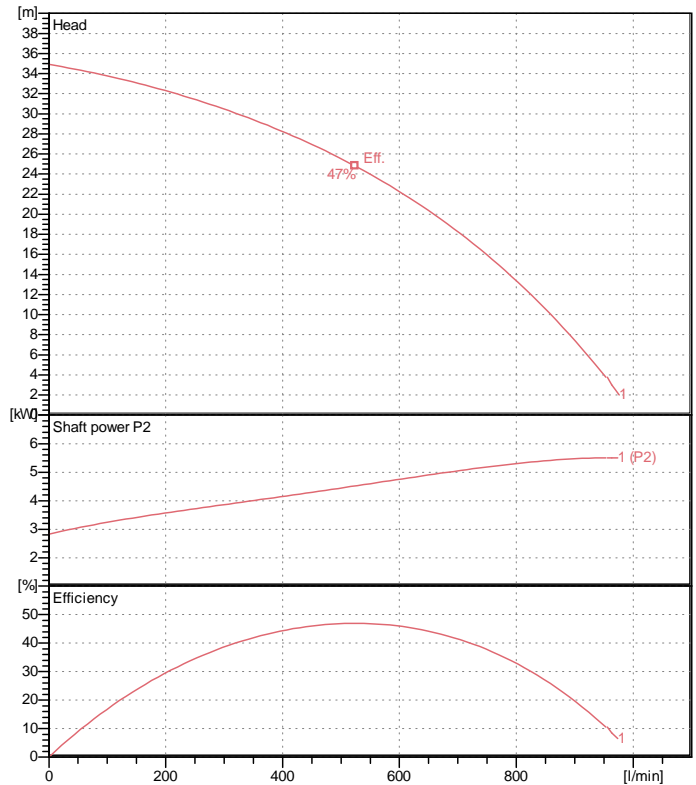


# Data sheet KTV3-55



CWL: Continuous running water level



## Specification

Electric submersible pump  
 Degree of protection IP 68  
 Depth of submersion max. 50 m  
 Type of impeller semi-vortex  
 Max. solid handling 8,5 mm  
 Suitable for:  
 rain water, ground water, sand water

## Electric motor

Dry-type submersible induction motor  
 Insulation class E 2Poles 2870 1/min  
 Starting mode Directly  
 Rated voltage 400 V 50 Hz 3~  
 Power uptake 7,06 kW  
 Rated power 5,50 kW  
 Rated current 11 A  
 Start current 65,0 A

## Cable

H07RN-F 4Cx2,5mm<sup>2</sup>

## Motor Protection

Circle thermal protector  
 (snap-action bi-metal device)

## Shaft seal

Double inside mechanical seal in oil bath  
 additional lubrication by oil lifting device

Primary seal

Silicon carbide on silicon carbide

Secondary seal

Silicon carbide on silicon carbide

## Bearings

Shielded ball bearings, maintenance-free

## Materials

Impeller	FCD700 (EN-GJS-700-2)
Pump casing	BR + Natural Rubber
Motor Frame	Aluminium die casting
Shaft	Stainless steel SUS403

## Discharge size

3" (80mm) BS-coupling (threaded flange)

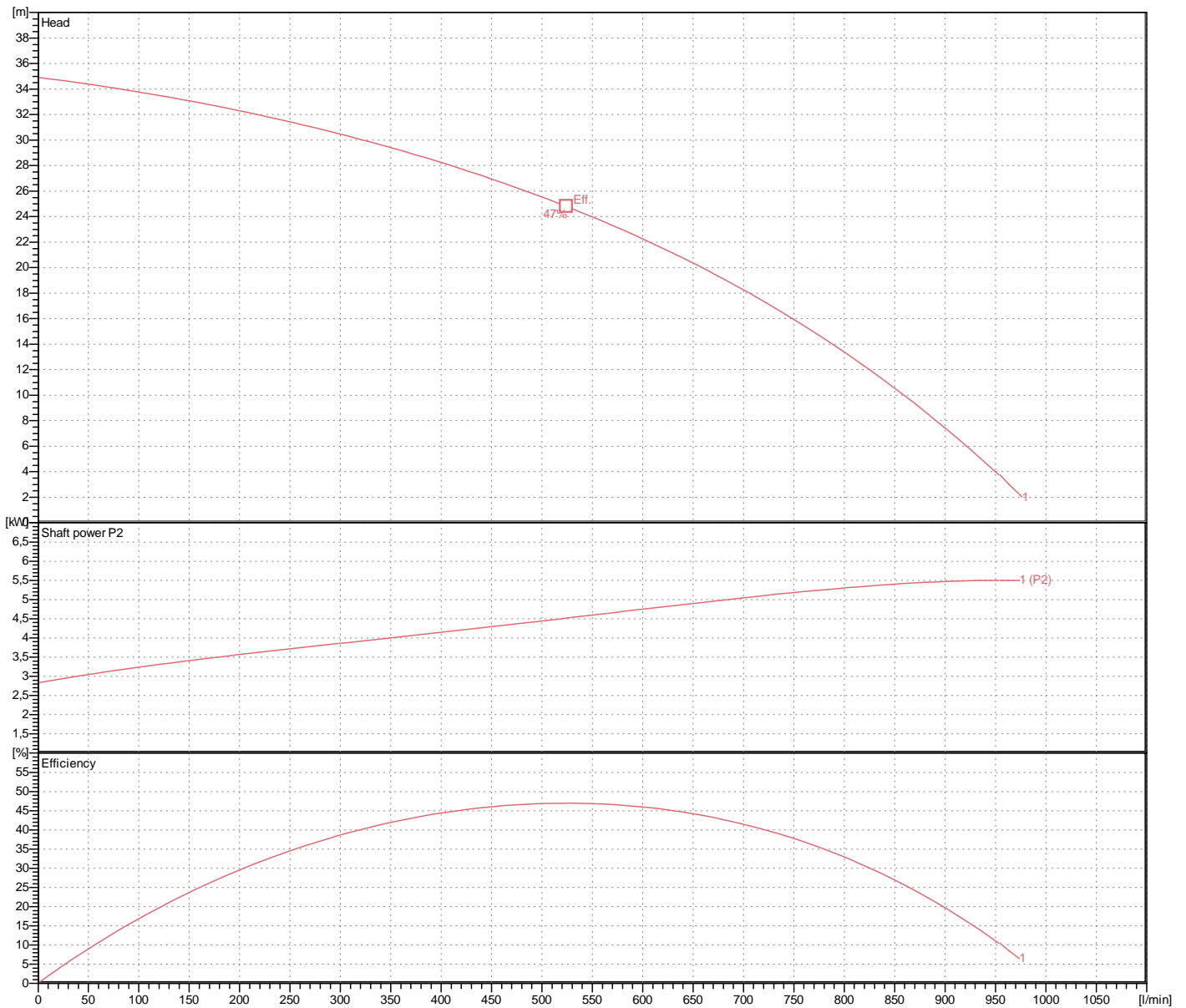
## Weight

47 kg (dry weight of the pump only without cable)

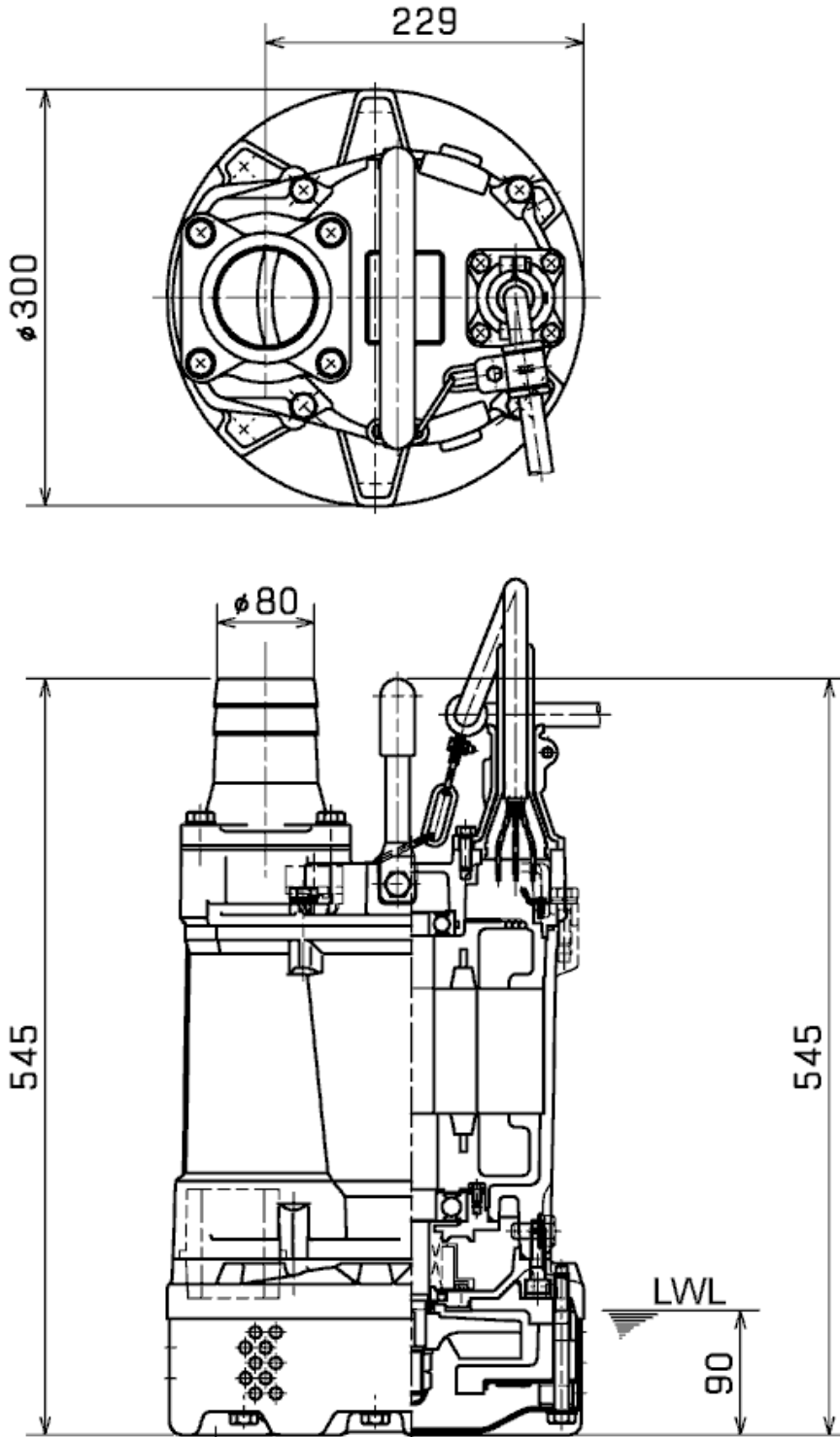
# Performance curve

## KTV3-55

Discharge port	3"
Head	34,9 m
Flow	976,4 l/min
Rated power	5,50 kW
Power input	7,06 kW
Phases	3~
Voltages	400 V
Frequency	50 Hz
Rated current	11 A
Starting current	65,01 A
Number of poles	2
Speed	2870 1/min
Starting mode	Directly
Insulation class	E



# Dimensions KTV3-55



mm

**KTV3-55**

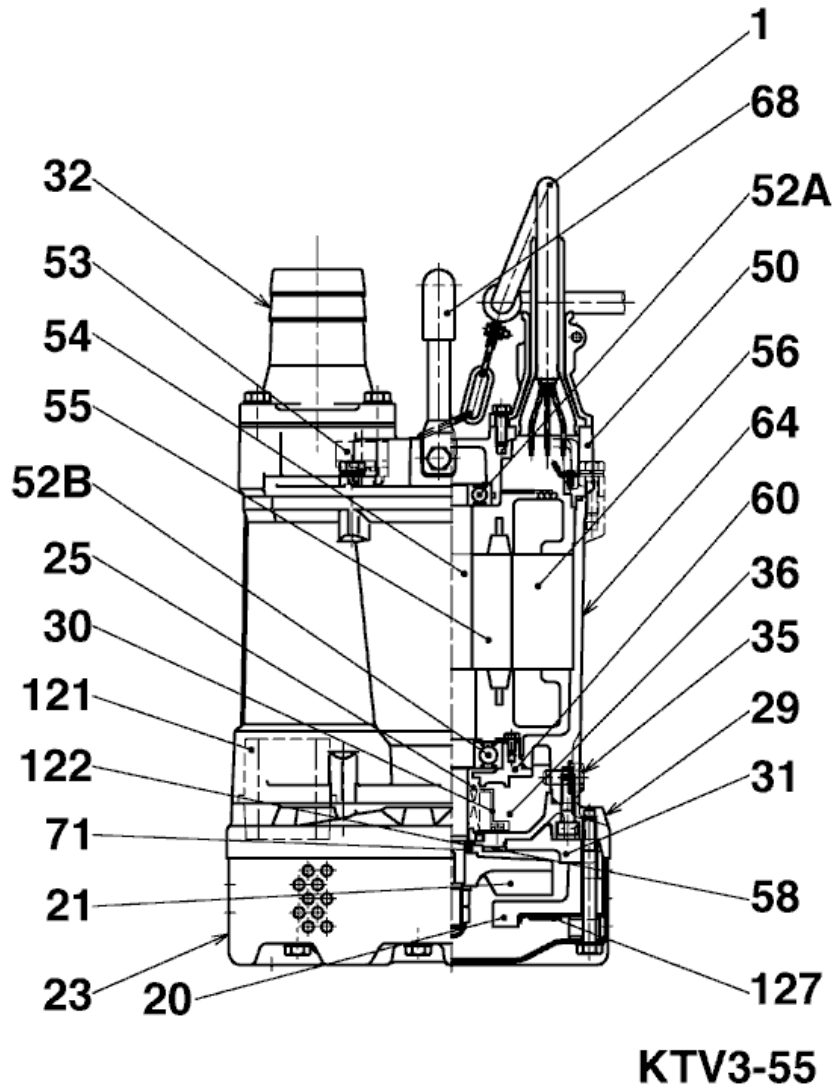
CWL: Continuous running water level  
LWL: Lowest running water level

 **TSURUMI PUMP**

Tsurumi Europe GmbH  
04.11.2011 V.14/29.09.2011

Heltorfer Str. 14 \* 40472 Düsseldorf \* Germany  
Tel.: +49-211-4179373 sales@tsurumi.eu  
Fax: +49-211-4791429 www.tsurumi.eu

# Sectional drawing KTV3-55



No.	Denomination	Remark	No.	Denomination	Remark
1	Cable	20m H07RN-F 4Cx2,5mm <sup>2</sup>	55	Rotor	.
20	Pump casing	BR + Natural Rubber	56	Stator	.
21	Impeller	FCD700 (EN-GJS-700-2)	58	Clear-view screen	Stainless steel SUS304
23	Strainer	Steel plate	60	Bearing Housing	Aluminium die casting
25	Mechanical seal	H-25T	64	Motor Frame	Aluminium die casting
29	Oil casing	Aluminium die casting	68	Handle	SGP + NBR
30	Oil distributor	Plastic	71	Shaft protection sleeve	Stainless steel SUS304
31	Wear protection	BR	121	Seal	SBR
32	Pressure socket	Aluminium die casting	122	V-ring	NBR
35	Oil screw	Stainless steel SUS304	127	Pressure plate	Steel plate
36	Lubricant	Turbine oil (ISO VG32)			
50	Main cover	Aluminium die casting			
52A	Upper bearing	6305ZZC3			
52B	Lower bearing	6307ZZC3			
53	Motor Protector	.			
54	Shaft	Stainless steel SUS403			